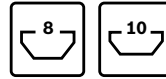
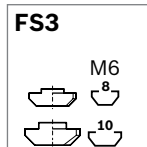
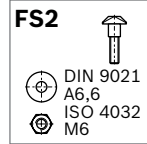
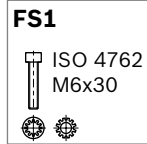
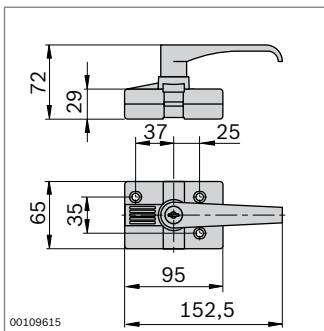


Door lock for swinging and sliding doors



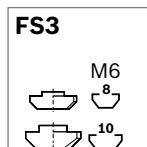
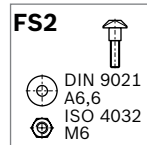
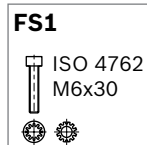
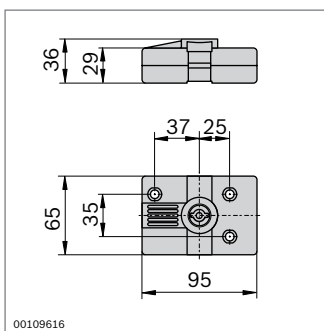
- ▶ Opening to the right and left
- ▶ Suitable for profiles 45x45 and 30x30
- ▶ “Standard locking” variant with random key selection (each lock has a different key)
- ▶ “Uniform locking” variant always has the same key
- ▶ Version with door handle or as two-way lock

Accessories:
Adapter plate



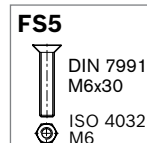
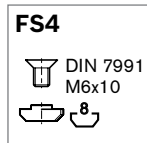
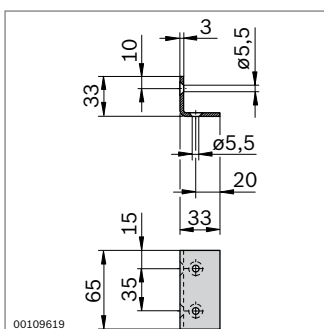
Door lock	No.	FS
Standard locking	30x30, 45x45	3 842 525 821 2xFS1, 1xFS2, 3xFS3
Uniform locking	30x30, 45x45	3 842 525 822 2xFS1, 1xFS2, 3xFS3

Material: Housing: Die-cast aluminum
Door handle: PA, black
mounting material: steel; galvanized
Scope of delivery: incl. 3 keys, fastening material (FS)



Door lock	No.	FS
	30x30, 45x45	3 842 525 823 2xFS1, FS2, 3xFS3

Material: diecast aluminum
Fastening material: steel; galvanized
Scope of delivery: incl. 1 x two-way key, fastening material (FS)



- ▶ Adapter plate for mounting the door lock on an EcoSafe protective frame (p. 10-6)

Adapter plate	No.	FS
	3 842 523 243	2xFS4, 2xFS5

Material: steel, galvanized
Fastening material: steel; galvanized
Scope of delivery: incl. fastening material (FS)